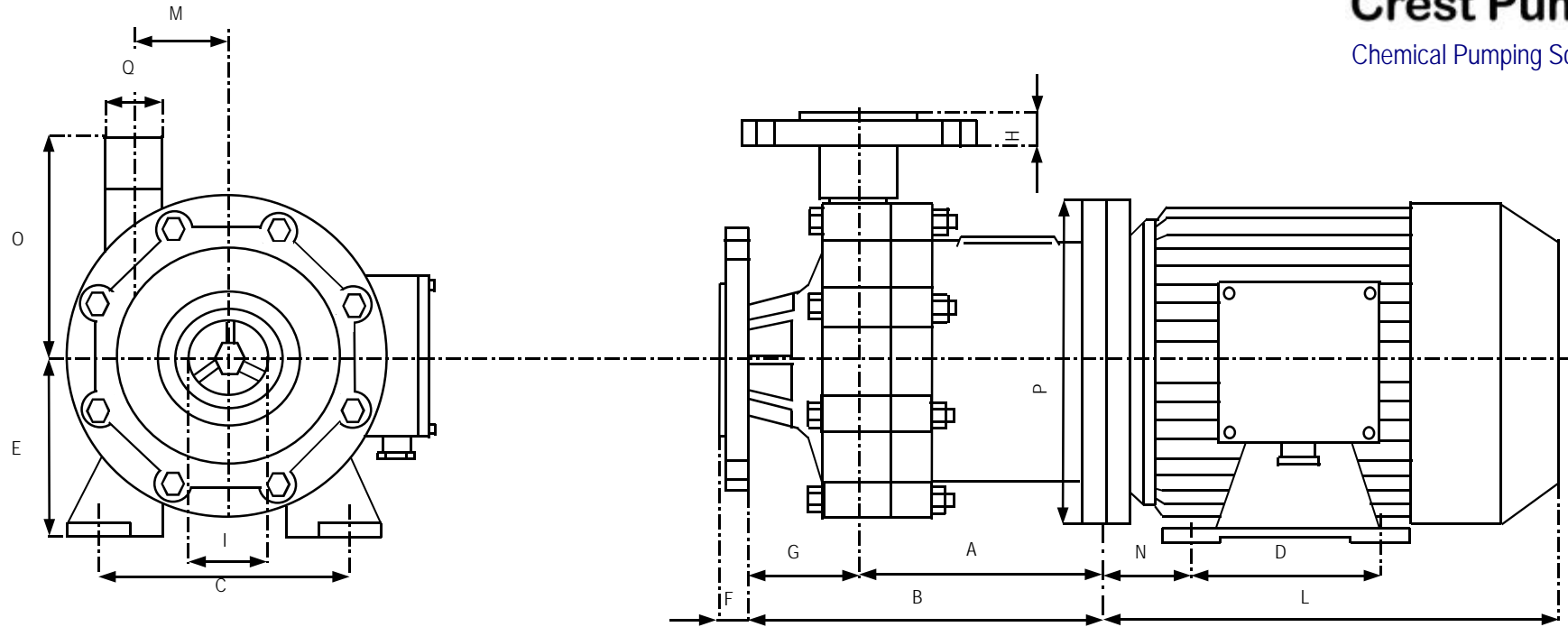
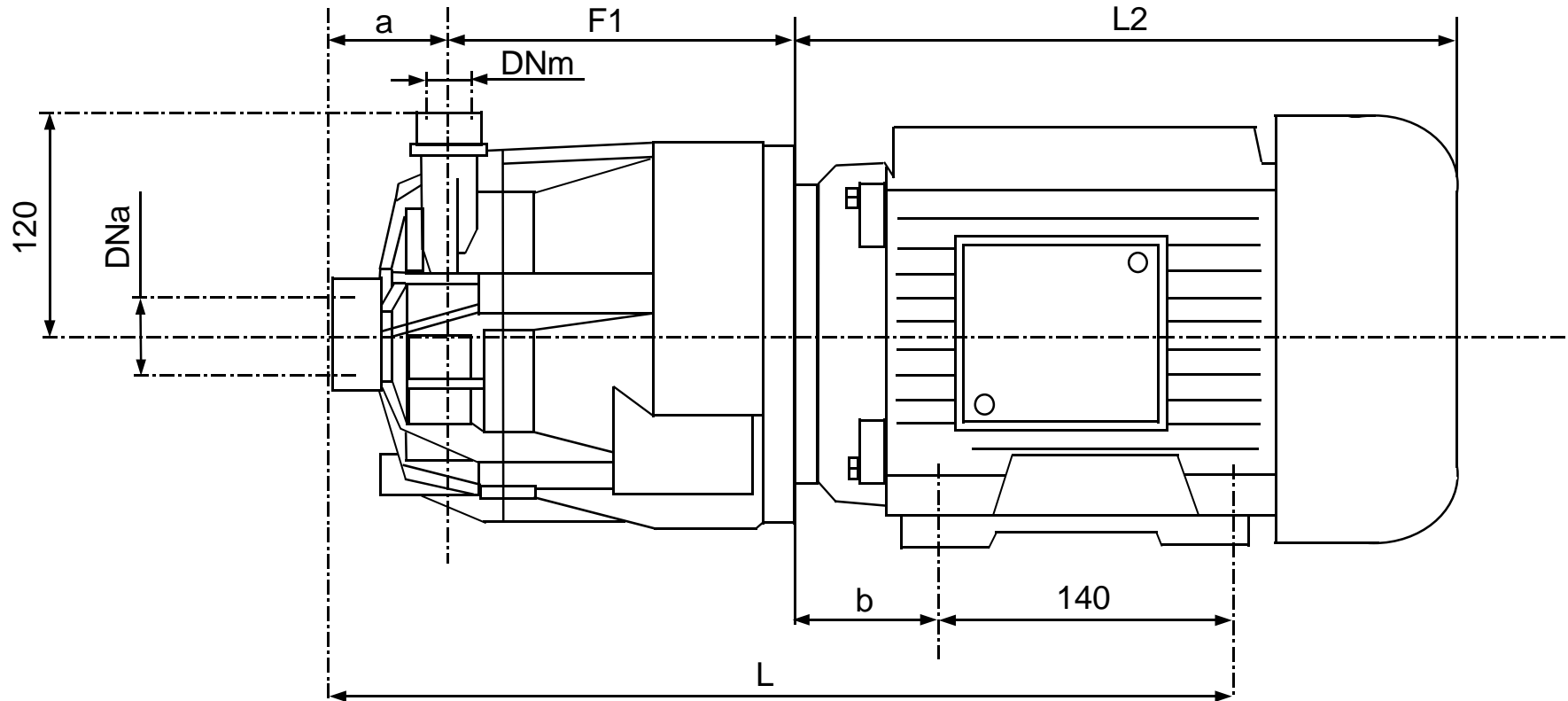


PP4 / 6 / 10MD General Arrangement Drawing



Pump Type	Motor Flange B3—B5	kW	A	B	C	D	E	F	G	H	I	L	M	N	O	P	Q
PP4MD	G 56 B	0.12	76	115	90	71	56	-	39	-	1 FPT	178	34	35	80	120	0.5 FPT
PP6MD	G 63 B	0.25	84	143	100	80	63	18	59	10	1 FPT	183	46	40	91	140	0.75 FPT
PP10MD	G 71 B	0.55	110	180	112	90	71	20	70	9	1.5 FPT	204	45	45	100	160	1 FPT

PP30 / 40MD General Arrangement Drawing



Pump Type	DNa	DNm	a	b	L	F1	Motor Size	L2 Motor Dimensions TEFC
PP30MD	40	20	60	-	370	156.5	80	Mot. 80-223
PP30MD	40	20	60	-	370	156.5	90	Mot. 90-256
PP30MD	40	20	60	63	436	173	100	Mot. 100-308
PP30MD	40	20	60	70	443	173	112	Mot. 112-332
PP40MD	40	32	67	-	377	156.5	80	Mot. 80-223
PP40MD	50	32	67	-	377	156.5	90	Mot. 90-256
PP40MD	50	32	67	63	443	173	100	Mot. 100-308
PP40MD	50	32	67	70	450	173	112	Mot. 112-332
PP40MD	50	32	67	89	487	191	132	Mot. 132-356